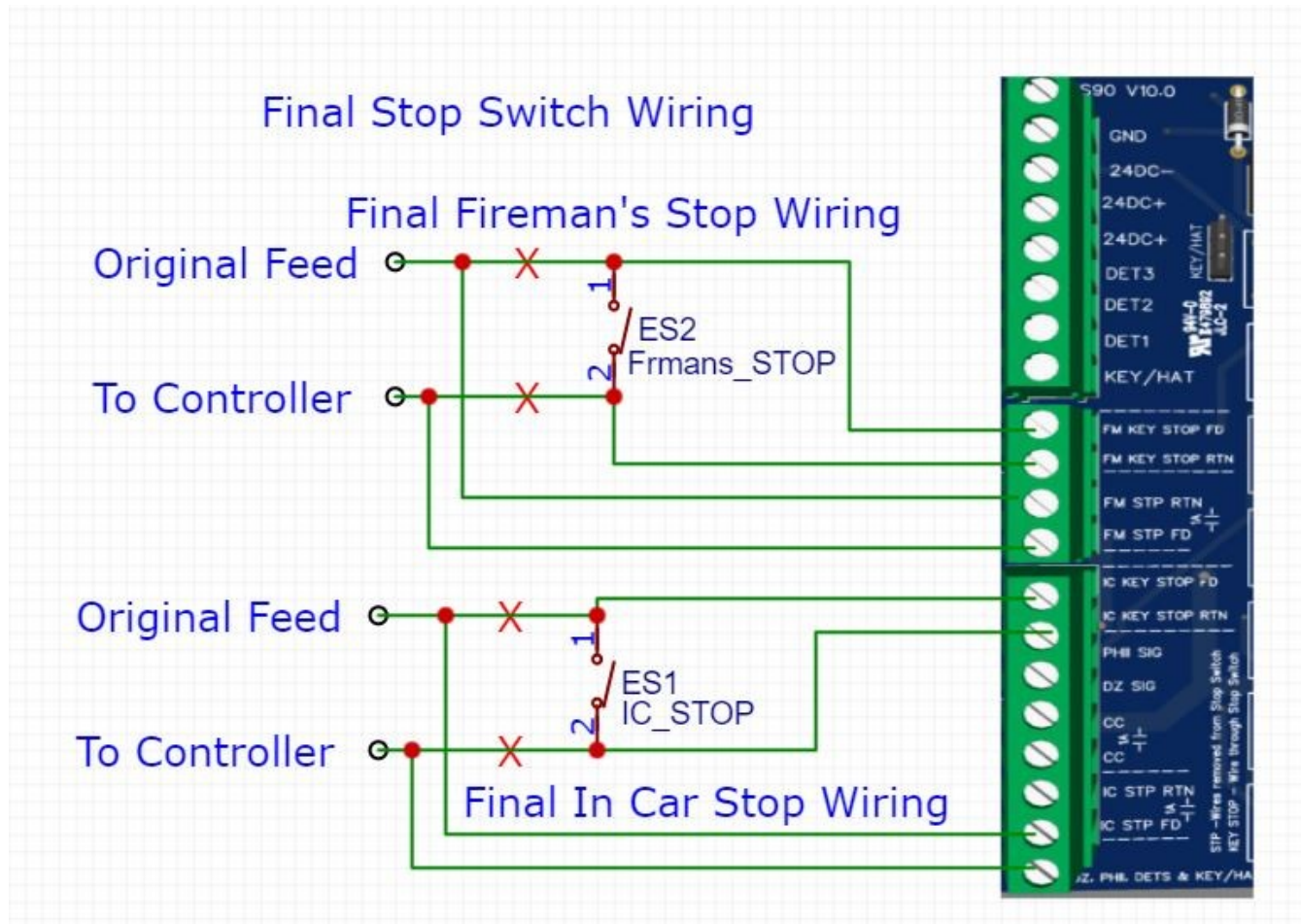
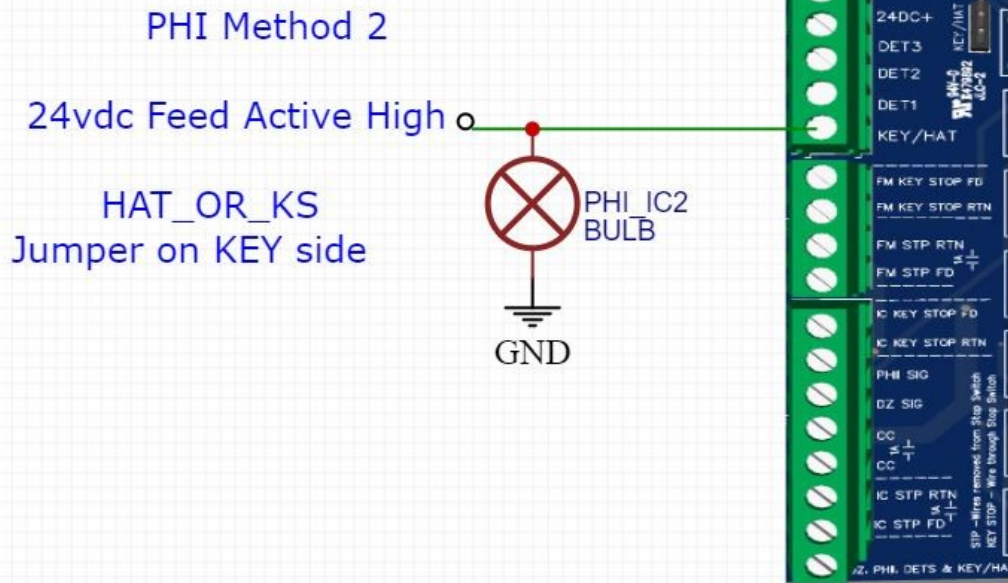
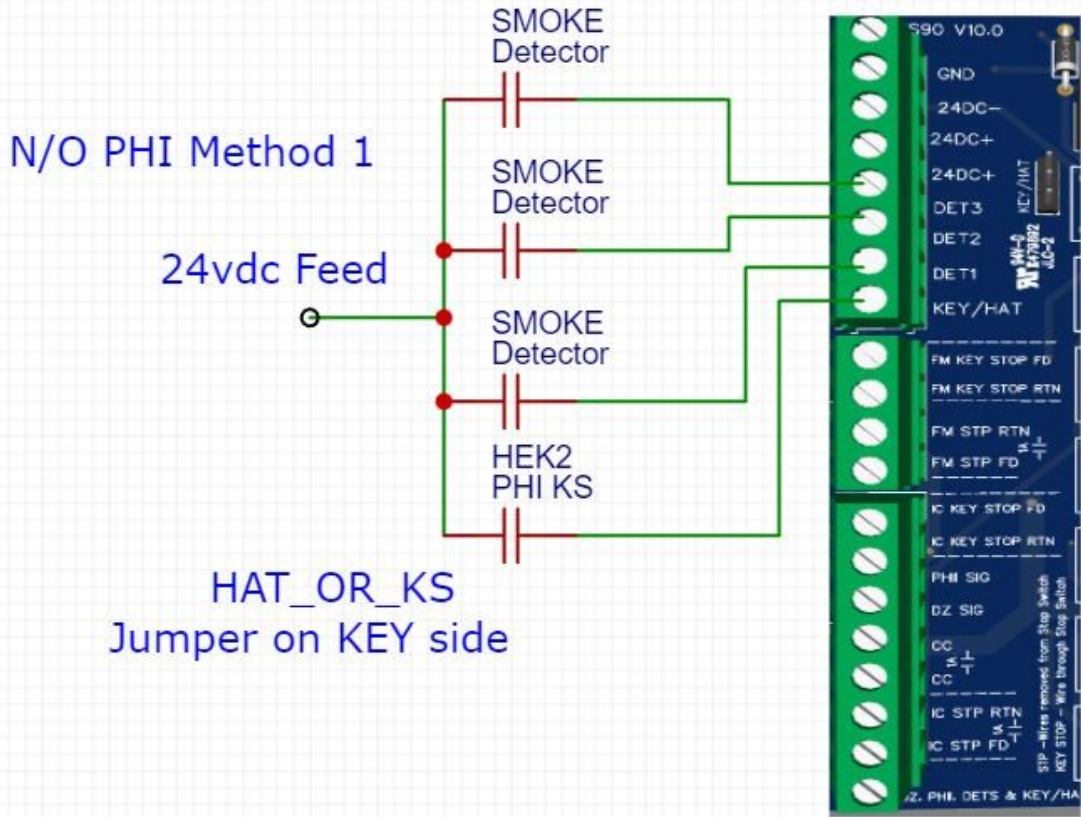


FS90 Simple V10 Basic Wiring Examples.
Use correct connections for each individual system.

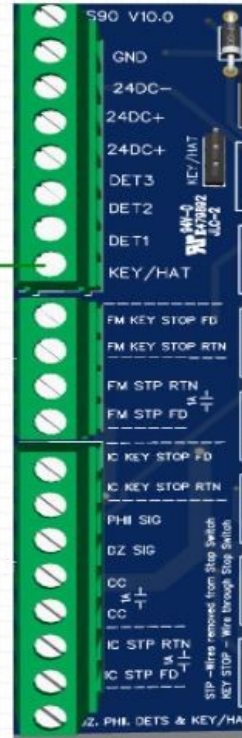
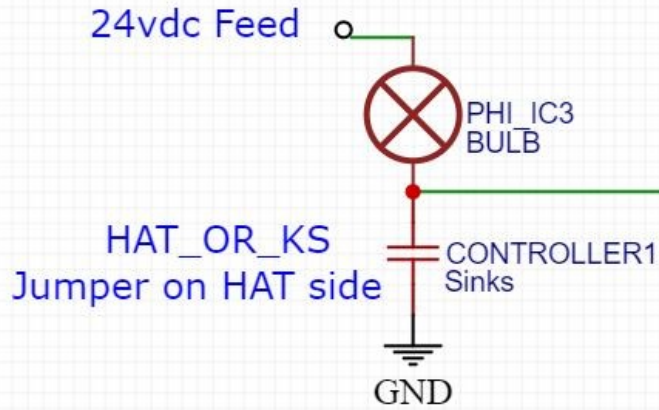
STP = terminals = N/O Relay contact (**1A MAX**)
CC terminals = N/O Relay contact (**1A MAX**)

All other connections are 24VDC referenced to 24vdc- terminal on FS90 Board

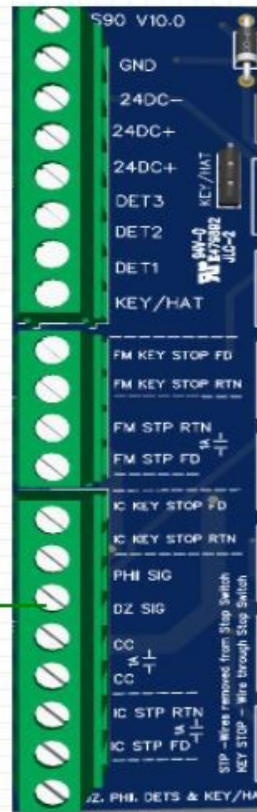
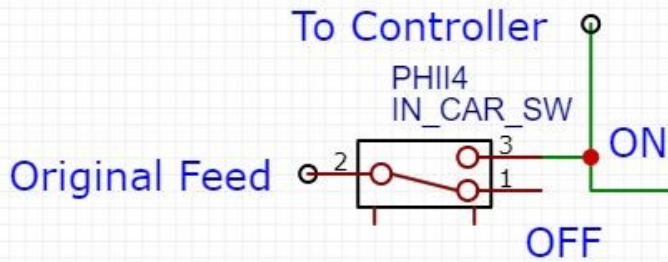




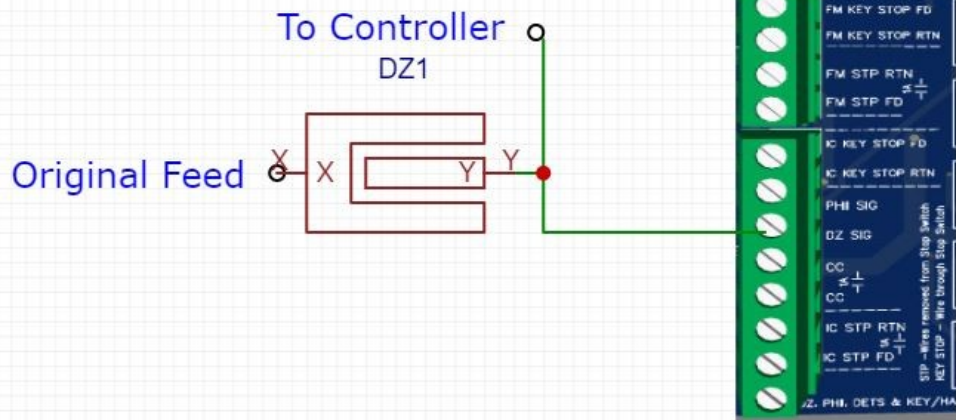
PHI Method 3



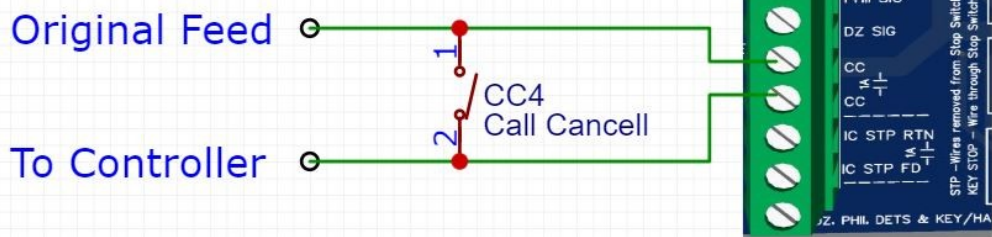
PHII Keyswitch Final



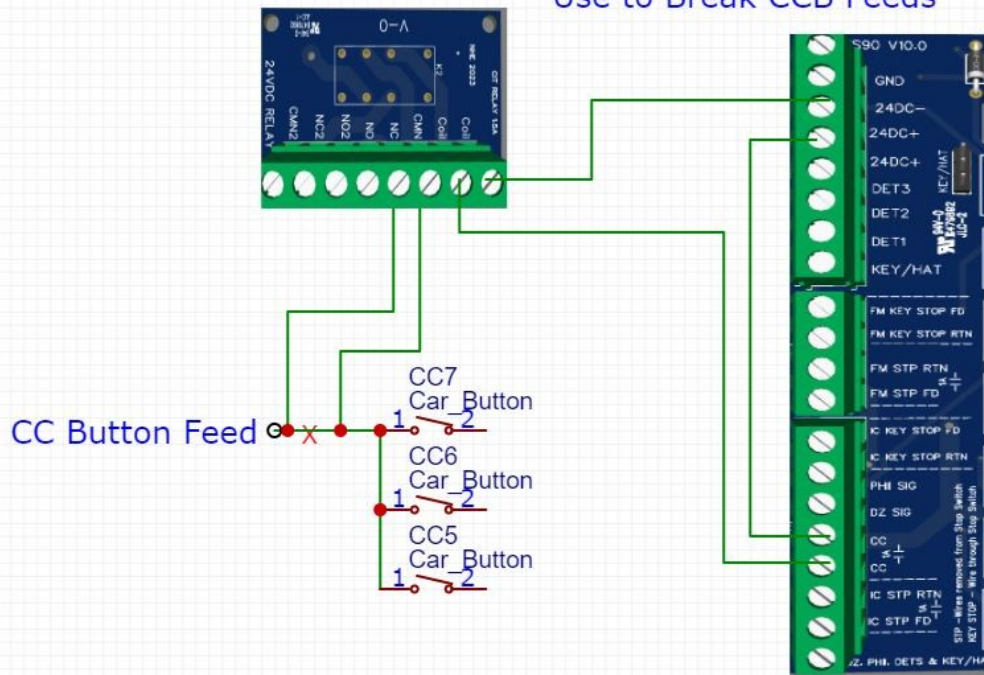
Final DZ Wiring



Final Call Cancel Wiring



ALT Call Cancel Wiring Use to Break CCB Feeds



Invert Low Signal

